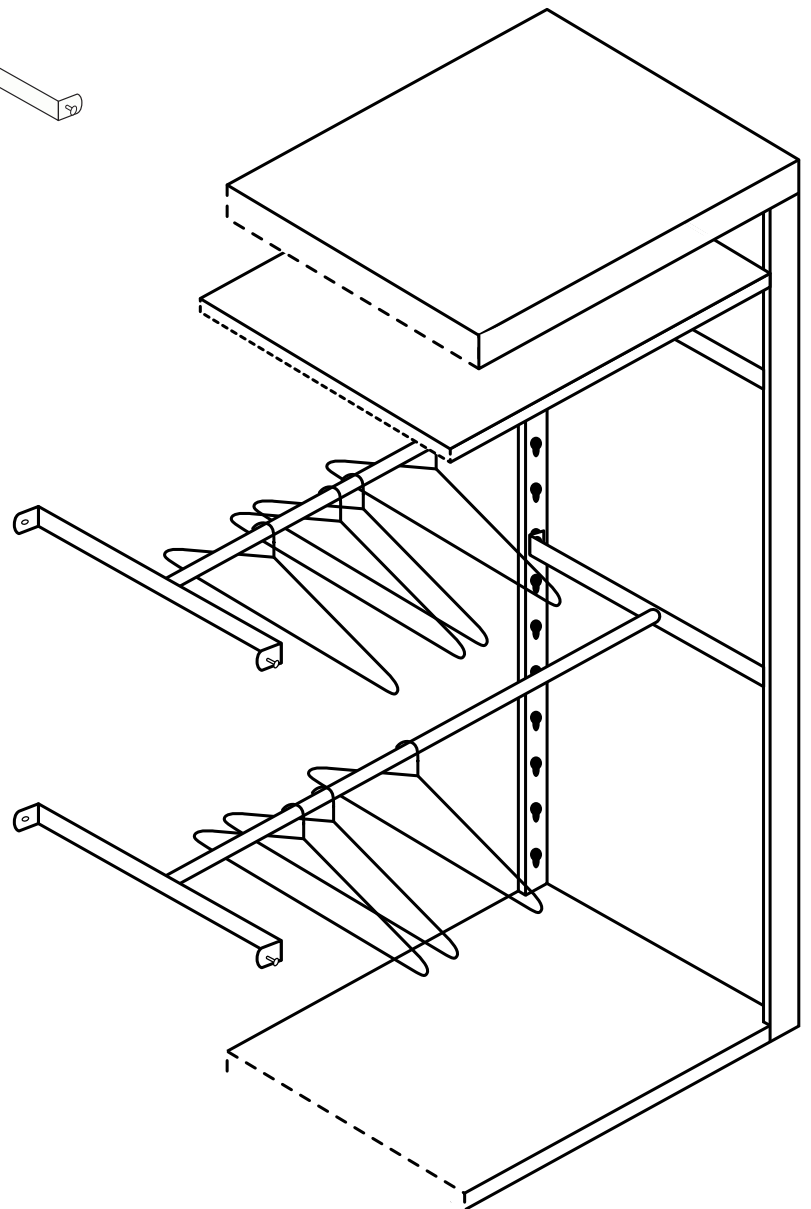
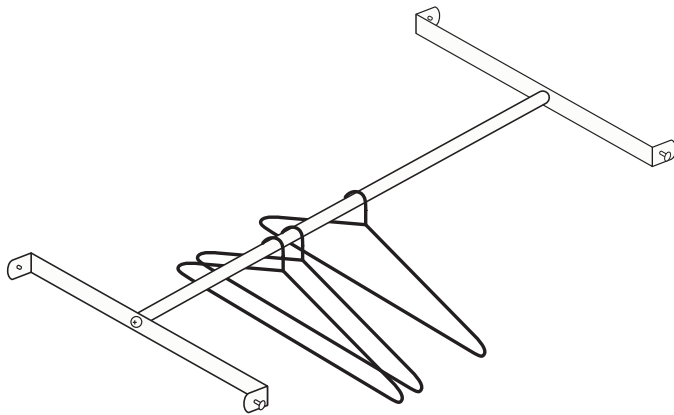




# think oblique

## oblique garment rails

store clothing, band uniforms  
& bicycles in upright shelving



*Oblique garment rails are designed to store sports clothing, uniforms, flight suits, kevlar jackets, hang evidence bags, etc. in four post or case style shelving. The garment rails can fit into any shelving make and they will fit into varying widths & depths.*